



HINSON

L4262
Swing arm table lamp
with dimmer

HINSON

L4262

Swing arm table lamp
with dimmer
21" tall

CONSTRUCTION




Solid brass.
9 1/2" diam. base.
Metal turn knob controls a dimmer
socket in cup.
UL listed for dry locations.

FINISH OPTIONS

PB – Polished Brass
PC – Polished Chrome
MN – Matte Nickel
BG – Bright Gunmetal

LAMPING OPTION

One 150W max, incandescent,
medium base lamp. 
120V

SHADE STYLE OPTIONS

(shade purchased seperately)

"B" "C" "D" "H" "L" "W" "Z"
(See pages 2i & 3i for selections of all
shade styles, dimensions and fabrics)

SHADE SHOWN

L5106 WLT - shade style "B",
white linen - translucent,
7" top x 11" bottom x 7 1/2" side

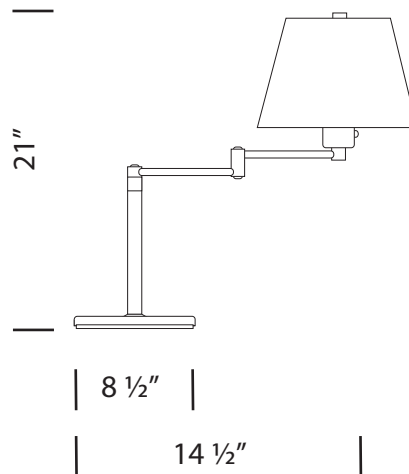
RELATED ITEMS

Wall - L1258, L1259, 1260
Floor - L3261

PARTS PURCHASED SEPERATELY

Diffuser - L6021
All lamp shades

L4262



HINSON LIGHTING

Distributed by DONGHIA

500 Bic Drive, gate 1 - suite 200, Milford, CT 06461
t. 1.800.DONGHIA