



HINSON

L4010
Swing arm table lamp
with 3-way switch

HINSON

L4010

Swing arm table lamp
with 3-way switch
21 3/4" tall

Design: **George W. Hansen**

CONSTRUCTION




Solid brass.
8 1/2" diam. base.
Faux ivory knob controls a 3-way
socket in cup.
UL listed for dry locations.

FINISH OPTIONS

PB – Polished Brass
PC – Polished Chrome
WL – White Lacquer

LAMPING OPTION

One 150W max, incandescent,
3-way (50-100-150W), medium base
lamp. 
120V

SHADE STYLE OPTIONS

(shade purchased seperately)

"B" "C" "D" "H" "L" "Z"
(See pages 2i & 3i for selections of all
shade styles, dimensions and fabrics)

SHADE SHOWN

L5110 WLO - shade style "C",
white linen - opaque,
6" top x 13" bottom x 7 1/2" side

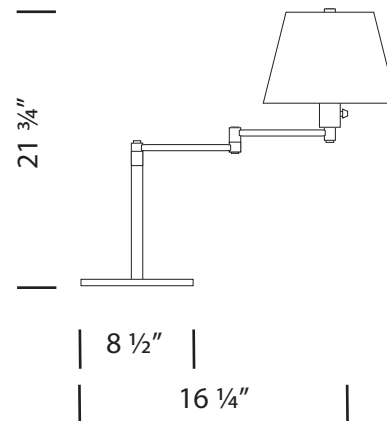
RELATED ITEMS

Wall - **L1148, 1705, 1706**
Floor - **L3982**

PARTS PURCHASED SEPERATELY

Diffuser - **L6021**
All lamp shades

L4010



HINSON LIGHTING

Distributed by **DONGHIA**

500 Bic Drive, gate 1 - suite 200, Milford, CT 06461
t. 1.800.DONGHIA