



HINSON

L1800  
Traditional double swing arm wall lamp  
with round backplate

# HINSON

## L1800

Traditional double swing arm wall lamp  
with round backplate

### CONSTRUCTION



Solid brass.  
4 1/2" diam. x 3/4" deep backplate.  
Faux ivory knob controls a 3-way  
socket in cup.  
UL listed for dry location mounting.

### MOUNTING OPTIONS

#### Wall Mounting

Supplied with electrical cord and two prong  
polarized plug.

#### Gem Mounting

This item is easily convertible to gem mount  
using licensed electrician.

All parts included with standard purchase.  
(vertically installed 2" x 3" gem box)

### FINISH OPTIONS

**PB** – Polished Brass  
**MN** – Matte Nickel  
**BZ** – Bronze

### LAMPING OPTION

One 150W max, incandescent,  
3-way (50-100-150W), medium base  
lamp.



### SHADE STYLE OPTIONS

(shade purchased seperately)

"B" "C" "D" "L" "Z"  
(See pages 2i & 3i for selections of all  
shade styles, dimensions and fabrics)

### SHADE SHOWN

L5195 CPS - shade style "Z",  
white 1" box pleated silk - translucent,  
7" top x 11" bottom x 8 1/2" side

### RELATED ITEMS

Wall - **L1802**

Floor - **L3806**

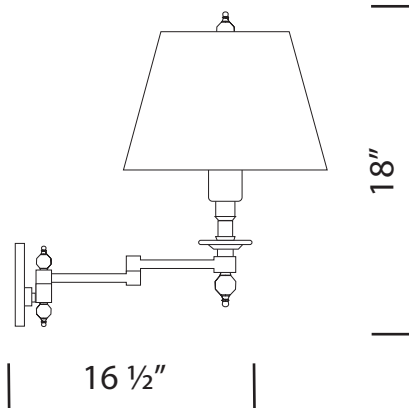
### PARTS PURCHASED SEPERATELY

Cord Cover - **L6101**

Diffuser - **L6021**

All lamp shades

### L1800



16 1/2"

18"

**HINSON LIGHTING**

Distributed by **DONGHIA**

500 Bic Drive, gate 1 - suite 200, Milford, CT 06461

t. 1.800.DONGHIA