



HINSON

L1602
Library wall lamp

HINSON

L1602

Library wall lamp

CONSTRUCTION



Solid brass.
3 1/2" wide x 4 1/2" tall x 5/8" deep
backplate.
(Upon request: backplate can be rotated
by factory to be 4 1/2" wide x
3 1/2" tall.)
Locking knobs control adjustable arms.
*Note: arms and shade are only adjustable
vertically.*
Hi-Lo switch on socket cup.
UL listed for dry location mounting.

MOUNTING OPTIONS


Wall Mounting

Supplied with electrical cord and two prong
polarized plug.

FINISH OPTIONS

- PB** – Polished Brass
- MN** – Matte Nickel
- PN** – Polished Nickel
- BZ** – Bronze

LAMPING OPTION

One 60W max, incandescent,
medium base lamp. 
120V

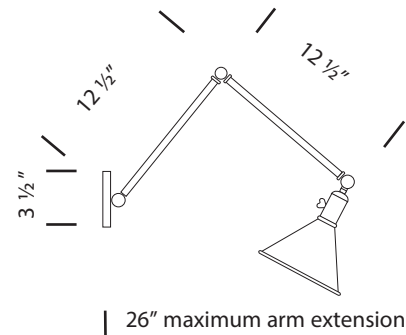
SHADE SHOWN

7" diam. x 4" tall
Inside of shade finished in white baked
enamel

PARTS PURCHASED SEPERATELY

Cord Cover - **L6105**

L1602



HINSON LIGHTING

Distributed by **DONGHIA**

500 Bic Drive, gate 1 - suite 200, Milford, CT 06461
t. 1.800.DONGHIA