



HINSON

L1259
Single swing arm wall lamp
with dimmer

HINSON

L1259

Single swing arm wall lamp with dimmer
with dimmer

CONSTRUCTION



Solid brass.
3 1/2" wide x 4 1/2" tall x 5/8" deep
backplate.
Metal turn knob controls a dimmer
socket in cup.
UL listed for dry location mounting.

MOUNTING OPTIONS

Wall Mounting

Supplied with electrical cord and two prong
polarized plug.


Gem Mounting

This item is easily convertible to gem mount
using licensed electrician.
All parts included with standard purchase.
(vertically installed 2" x 3" gem box)

FINISH OPTIONS

PB – Polished Brass
PC – Polished Chrome
MN – Matte Nickel
BG – Bright Gunmetal

LAMPING OPTION

One 150W max, incandescent,
medium base lamp. 
120V

SHADE STYLE OPTIONS

(shade purchased seperately)

"B" "C" "D" "H"
"L" "W" "Z"
(See pages 2i & 3i for selections of all
shade styles, dimensions and fabrics)

SHADE SHOWN

L5110 WLP - shade style "C",
white lacquer paper - opaque,
6" top x 13" bottom x 7 1/2" side

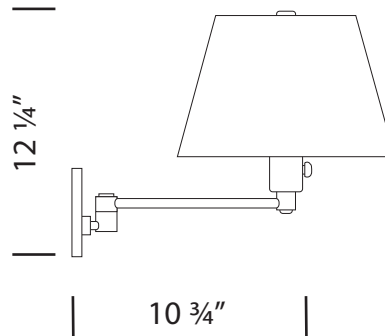
RELATED ITEMS

Wall - **L1258**, **L1260**
Floor - **L3261**
Table - **L4262**

PARTS PURCHASED SEPERATELY

Cord Cover - **L6101**
Diffuser - **L6021**
All lamp shades

L1259



HINSON LIGHTING

Distributed by DONGHIA

500 Bic Drive, gate 1 - suite 200, Milford, CT 06461
t. 1.800.DONGHIA