



HINSON

L1148/1148X
Fixed wall bracket

HINSON

L1148

Fixed wall bracket
Fixed wall bracket - reverse mount

Design: **George W. Hansen**

CONSTRUCTION



Solid brass.
3" wide x 5" tall x 3/4" deep backplate.
On-Off push switch on canopy.
UL listed for dry location mounting.

MOUNTING OPTIONS

L1148 : Socket Facing Up Wall Mounting

Supplied with electrical cord and two prong polarized plug.

Gem Mounting

This item is easily convertible to gem mount using licensed electrician.
All parts included with standard purchase.
(vertically installed 2" x 3" gem box)

L1148X : Socket Facing Down

Wall Mounting

Supplied with electrical cord and two prong polarized plug.


Gem Mounting

This item is easily convertible to gem mount using licensed electrician.
All parts included with standard purchase.
(vertically installed 2" x 3" gem box)

FINISH OPTIONS

PB - Polished Brass
BB - Brushed Brass
WL - White Lacquer
PC - Polished Chrome

LAMPING OPTION

One 60W max, incandescent,
medium base lamp. 

SHADE STYLE OPTIONS

(shade purchased separately)

"E" "I"

(See pages 2i & 3i for selections of all shade styles, dimensions and fabrics)

SHADE SHOWN

L5132 WTP - shade style "I" & "E",
white matte paper - translucent,
5" top x 9" bottom x 6 1/4" side x
1 1/4" euro mount at bottom of shade.

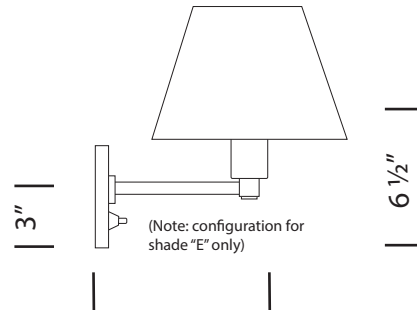
RELATED ITEMS

Wall - **L1705**, **L1706**
Floor - **L3982**
Table - **L4010**

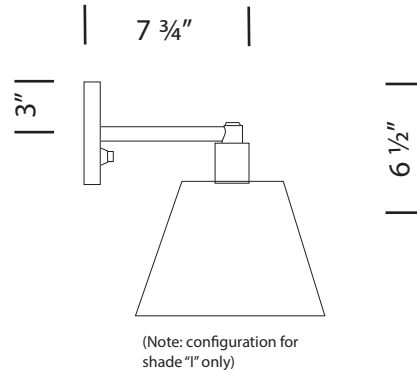
PARTS PURCHASED SEPERATELY

Cord Cover - **L6101**
Diffuser - **L6021**
All lamp shades

L1148 : Socket Facing Up



L1148X : Socket Facing Down



HINSON LIGHTING

Distributed by **DONGHIA**

500 Bic Drive, gate 1 - suite 200, Milford, CT 06461
t. 1.800.DONGHIA